

LED Pendant

PD70610

INSTALLATION SHEET

START FROM HERE

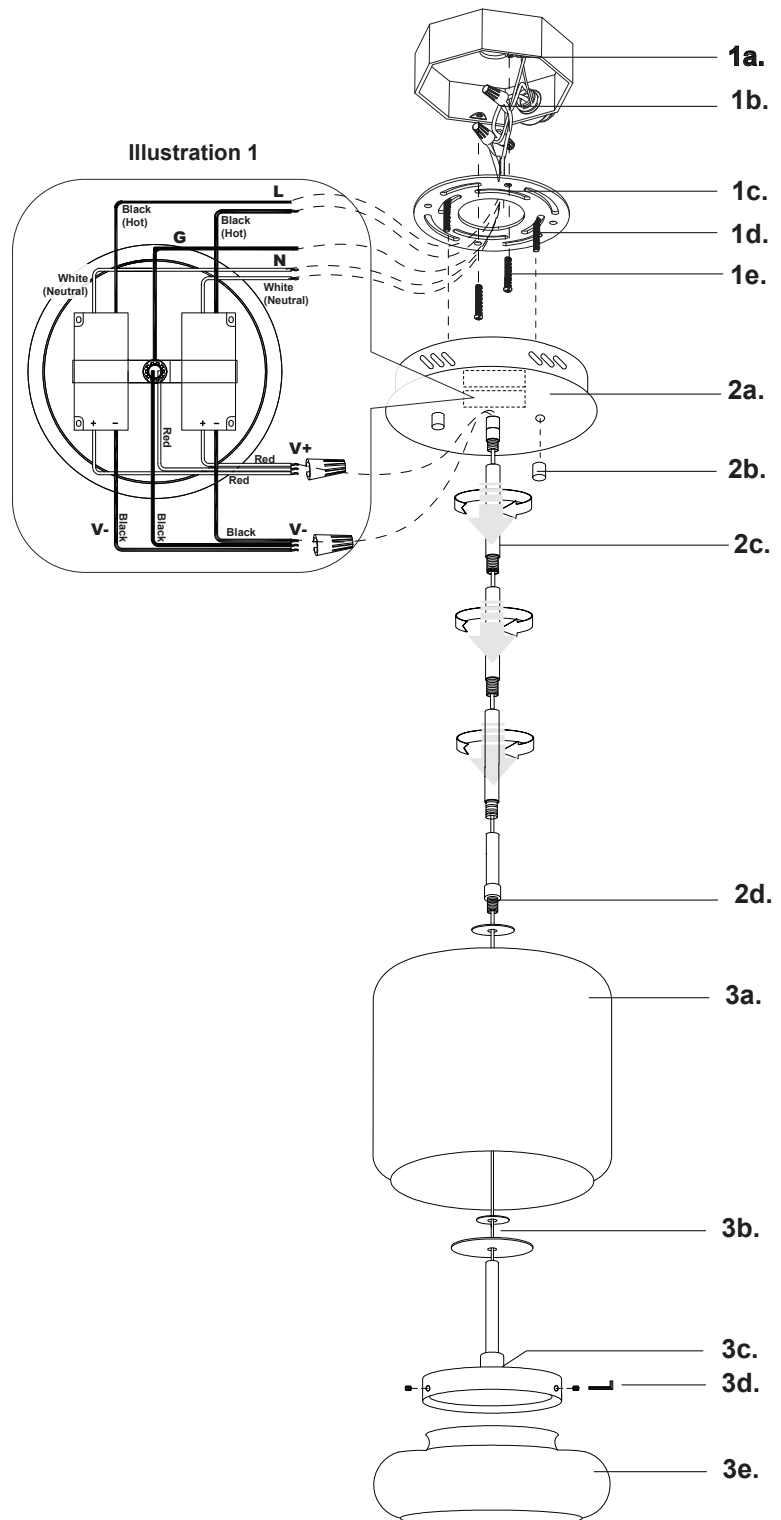
- Make sure **POWER** is **COMPLETELY OFF** at the fuse box
- Have your fixture installed by a qualified licensed electrician
- Prepare everything in a clear area
- Wear gloves at all time during this installation
- Read instructions carefully before you start assembly
- Keep this installation sheet for future reference

Technical Support: 1-855-855-8926

Please Note:

- All Kuzco LED fixtures come with pre-wired LED module(s).
- Unless instructed to do so, please do not touch any part of the LED module(s) as any unnecessary contact with the module could cause permanent damage.
- For dimming, an ELV (Electronic Low Voltage) type of dimmer is required.

- 1.** Remove fixture from its original package.
- 2.** Remove the mounting plate (1c) from within the canopy (2a) by unthreading the decorative nuts (2b).
- 3.** Secure the mounting plate (1c) to the junction box (1a) with screws (1e) provided in the hardware package.
- 4.** Connect the glass (3e) to the LED engine (3c) by using the two set screws and allen key (3d) provided. Run the wires (2e) through the shade (3a) and let the shade rest on the glass (3e). Make sure that the metal washers (3b) are aligned properly. Connect the stem (2d) into the shade (3a) and LED engine (3c) by threading clockwise.
- 5.** Connect all the rods together (2c) by threading clockwise starting from the stem (2d) up to the canopy (2a). Make sure to run the wires (2e) through the rods up to the canopy.
- 6.** Connect the DC driver wires to the LED engine wires by matching black driver wire to black LED wire, red driver wire to red LED wire. Make proper electrical connections (black to hot "L", white to neutral "N", ground to "GND") with wire nuts (1b) provided in hardware package (Illustration 1).
- 7.** Align and insert mounting plate screws (1d) through holes on canopy (2a), secure with decorative nuts (2b).



KUZCO

19054 28th Avenue Surrey, BC Canada V3S 6M3
T: 604 538 7162 TF: 1-855 85 KUZCO F: 604 538 7196
W: kuzcolighting.com
20190627